

### Target Applications

- Desktop PC security
- Mobile PCs
- Custom applications

### Features

- Blue LED
- Small form factor
- Excellent image quality
- Superior ESD resistance
- Encrypted fingerprint data
- Latent print rejection
- Counterfeit finger rejection
- Rotation invariant
- Rugged
- Works well with dry, moist or rough fingerprints
- Compatible with Windows® 7, Vista, XP Professional, 2000 and Windows Server 2000, 2003, 2008

### Key Specifications

- Pixel resolution: 512 dpi (average x, y over the scan area)
- Scan capture area: 14.6 mm (nom. width at center) 18.1 mm (nom. length)
- 8-bit grayscale (256 levels of gray)
- Reader size (approximate): 65 mm x 36 mm x 15.56 mm
- Compatible with USB 1.0, 1.1 and 2.0 (Full Speed) specifications
- Indoor, home and office use



### Product Description

The U.are.U 4500 Reader is an elegant, powerful fingerprint identity machine. With an executive-class look and feel, the U.are.U 4500 Reader is perfect for power users and shared environments. Its design is sleek and compact to conserve valuable desk space but it stays right where you put it because of its nice heft and special undercoating.

The U.are.U 4500 radiates an attractive blue glow that provides an unobtrusive presence in low light environments and also ensures that it does not compete with alarm colors in settings such as healthcare.

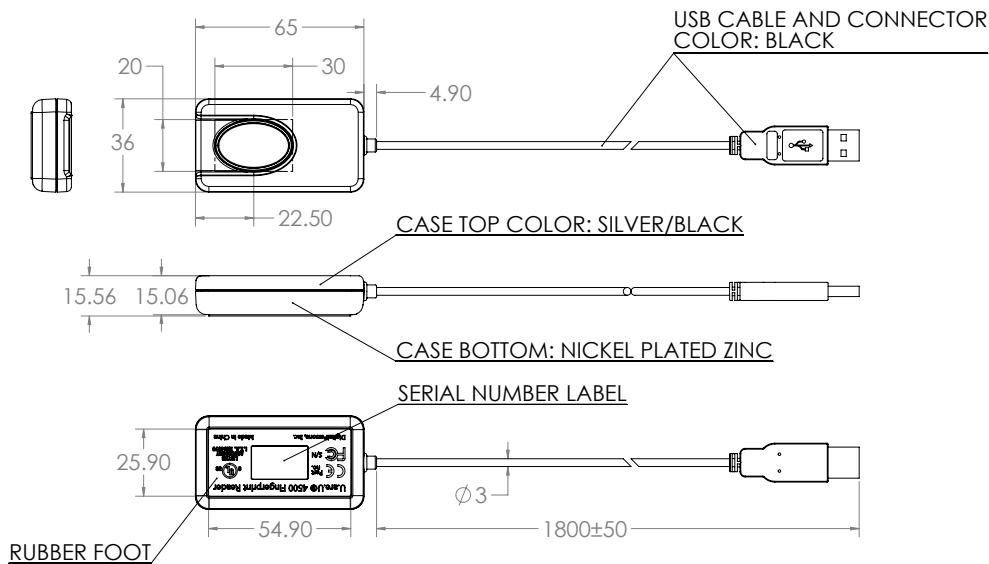
To use, you simply place your finger on the glowing window, and the reader quickly and automatically scans your fingerprint. For superior user feedback, a red “flash” indicates that a fingerprint image has been captured. On-board electronics calibrate the reader and encrypt the scanned data before sending it over the USB interface.

DigitalPersona readers utilize optical fingerprint scanning technology to achieve excellent image quality, a large capture area and superior reliability. The U.are.U 4500 Reader and DigitalPersona® Fingerprint Recognition Engine have an unmatched ability to authenticate even the most difficult fingerprints accurately and rapidly regardless of placement angle.

The U.are.U 4500 Reader can be purchased for use with DigitalPersona Pro Workstation, DigitalPersona Pro Kiosk, DigitalPersona Online, DigitalPersona Personal or any of the DigitalPersona SDK packages. Whether you are an enterprise customer, a system integrator or a home user, DigitalPersona’s fingerprint authentication solutions provide a natural extension to your security system and applications.

Part Number	Packaging	Fingerprint Surface
88003-001	Single unit	Standard coating
88003-B01	2 or more units - packaged bulk	Standard coating
88004-001	Single unit	Heavy Duty coating
88004-B01	2 or more units - packaged bulk	Heavy Duty coating

## Mechanical Specifications



ALL DIMENSIONS ARE IN MILLIMETERS

## Ratings

<b>Supply Voltage</b>	5.0V ±5% supplied by USB
<b>Supply Current—scanning</b>	< 100 mA (Typical)
<b>Supply Current—idle mode</b>	120 mA (Typical)
<b>Supply Current—suspend mode</b>	< 0.5 mA (Maximum)
<b>ESD Susceptibility</b>	>15 kV, mounted in case
<b>Temperature, Operating</b>	0 - 40 C
<b>Humidity, Operating</b>	20% - 80% non-condensing
<b>Temperature, Storage</b>	-10 - 60 C
<b>Humidity, Storage</b>	20% - 90% non-condensing
<b>Scan Data</b>	8-bit grayscale
<b>Standards Compliance</b>	FCC Class B, CE, ICES, BSMI, MIC, USB, WHQL
<b>Weight</b>	105 grams
<b>Interface</b>	USB 2.0 Full-speed High Power Device

Data subject to change without notice.

### DigitalPersona, Inc.

720 Bay Road, Redwood City, CA 94063 USA

Tel: +1 650.474.4000 • Fax: +1 650.298.8313 • E-Mail: info@digitalpersona.com